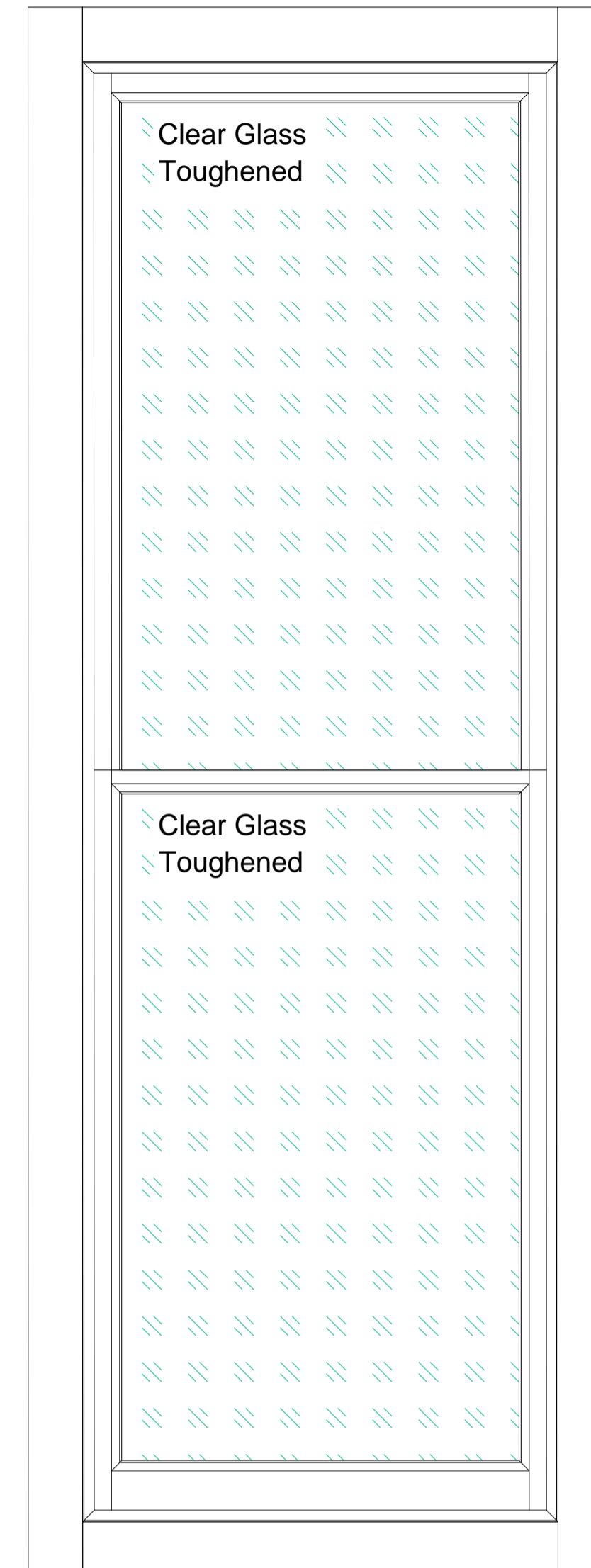
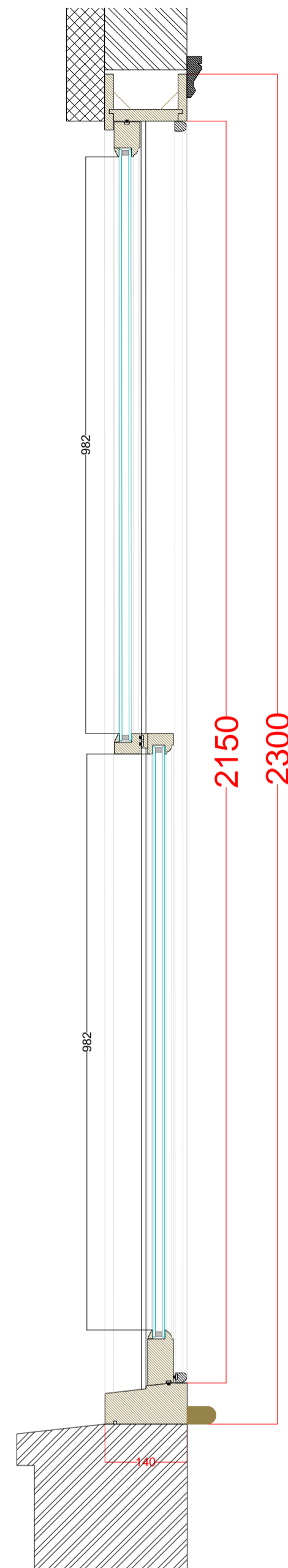
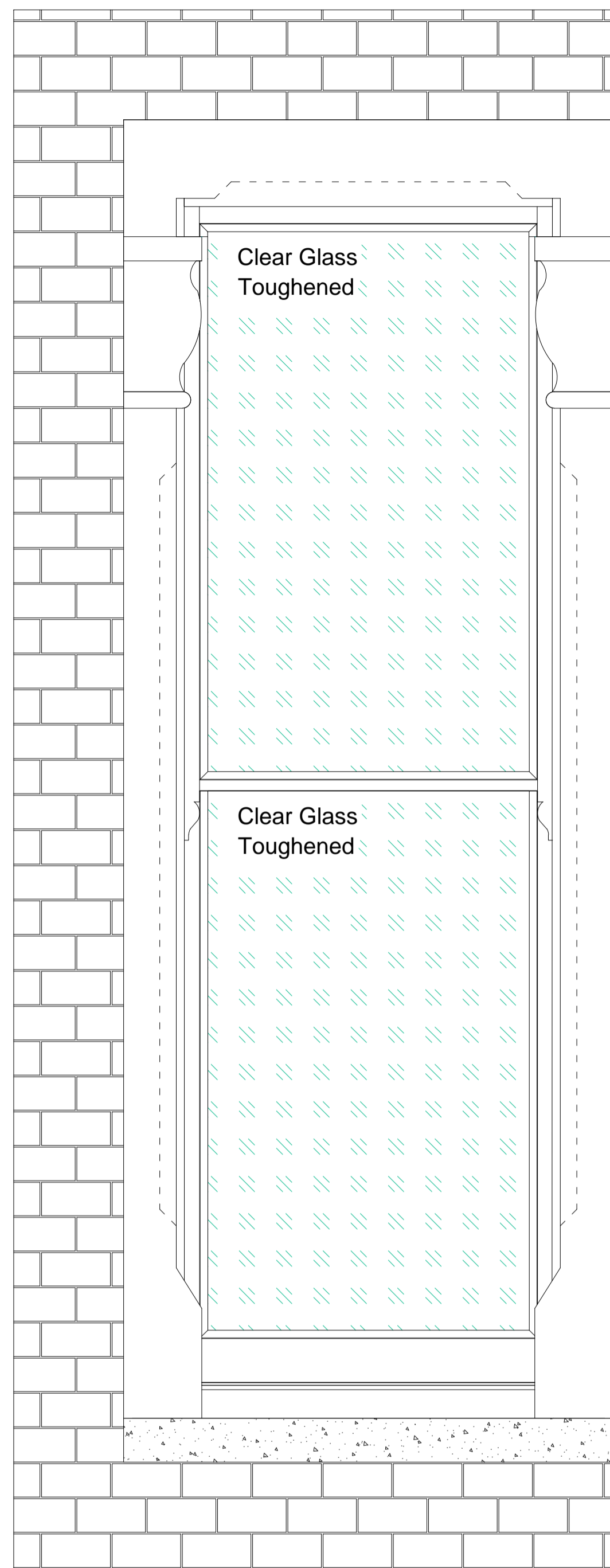


# Ground Floor Bay Area Right Window 'W-G-01'



## SPECIFICATION

|                        |   |
|------------------------|---|
| No OF WINDOWS          | 1 No, Full Box  |
| WOOD                   | SOFTWOOD, HARDWOOD SILL   |
| TYPE                   | LEAD WEIGHT   |
| HORNS                  | YES Top Sash, MODEL No 2  |
| DRAFT PROOF            | YES   |
| GLASS- TOP SASH        | Toughened Clear Glass , 4-12-4 mm ARGON FILLED SEALED UNIT, K GLASS |
| GLASS- BOTTOM SASH     | Toughened Clear Glass , 4-12-4 mm ARGON FILLED SEALED UNIT, K GLASS |
| ARCHITRAVES            | YES   |
| WINDOW BOARD           | NONE  |
| FINISH/PAINT           | WHITE GLOSS OUTSIDE / TBC Inside                                    |
| SPACER BAR COLOR       | WHITE   |
| IRONMONGERY            | Brass   |
| IRONMONGERY QTY.       | 2 No SASH PULLS+ 2 No SASH LIFTS                                    |
|                        | 1 No HOOK LOCKING   |
| ADDITIONAL IRONMONGERY | Security Restrictors  |
| COMMENTS               |   |

## Approval Sketches



Full Box Replacement

Wandsworth Sash Windows

Full Box Replacement

Ground Bay Area Right Window W-G-01

ADDRESS:130 Ardgowan Rd

Date:03.2016

REVISION 1

Scale:

Sheet:1-1