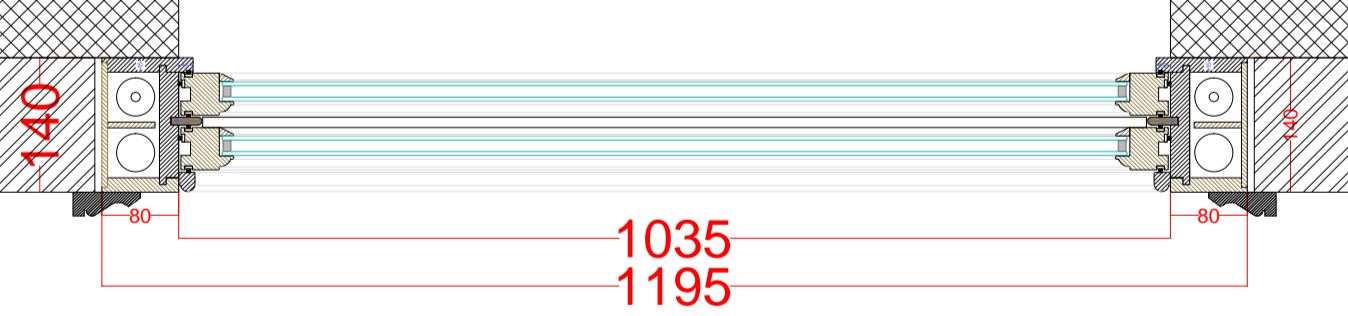
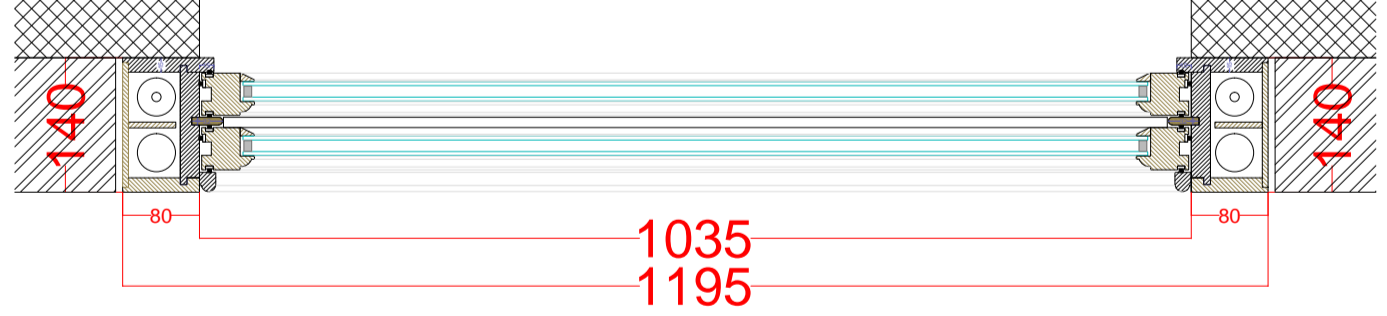
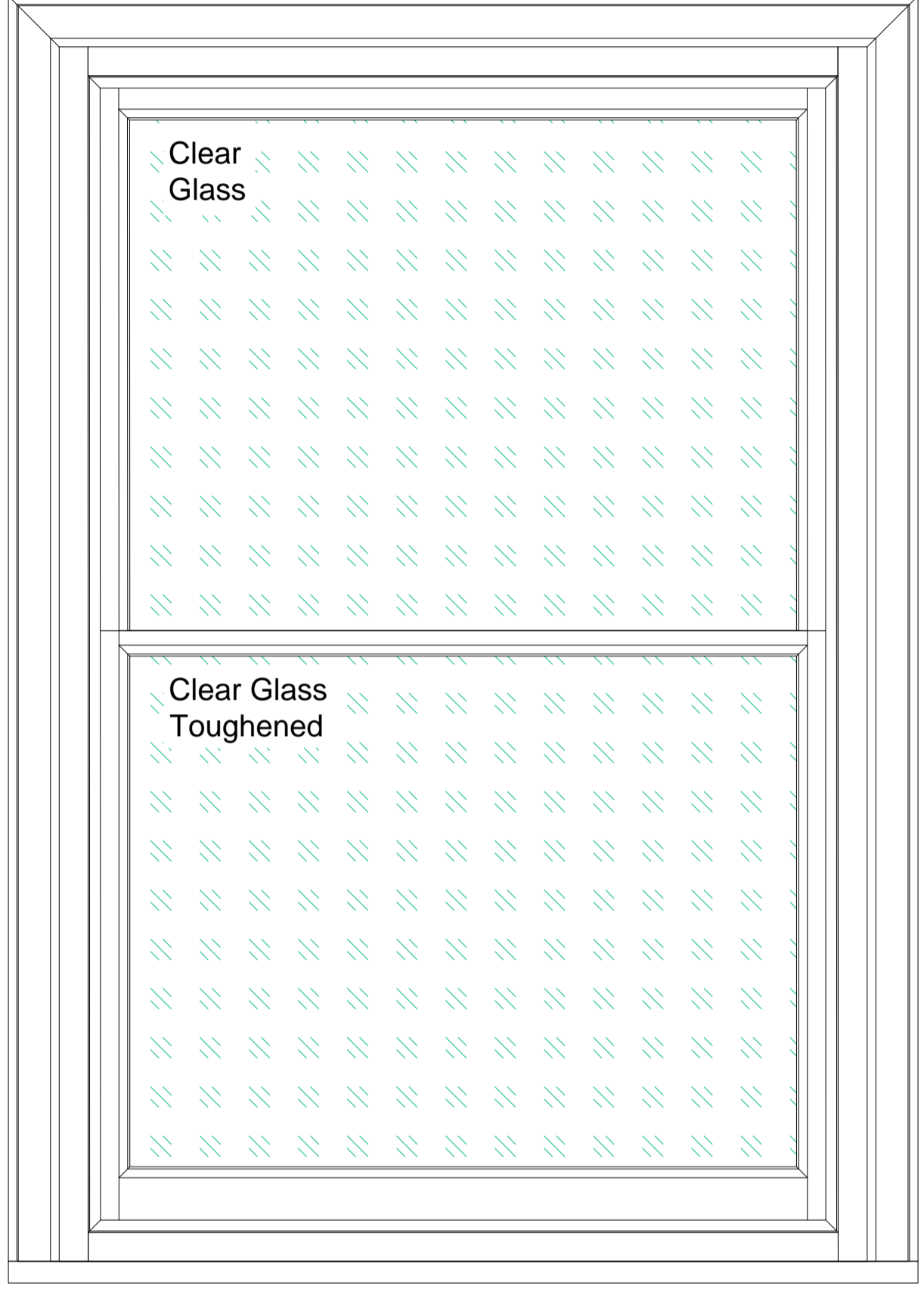
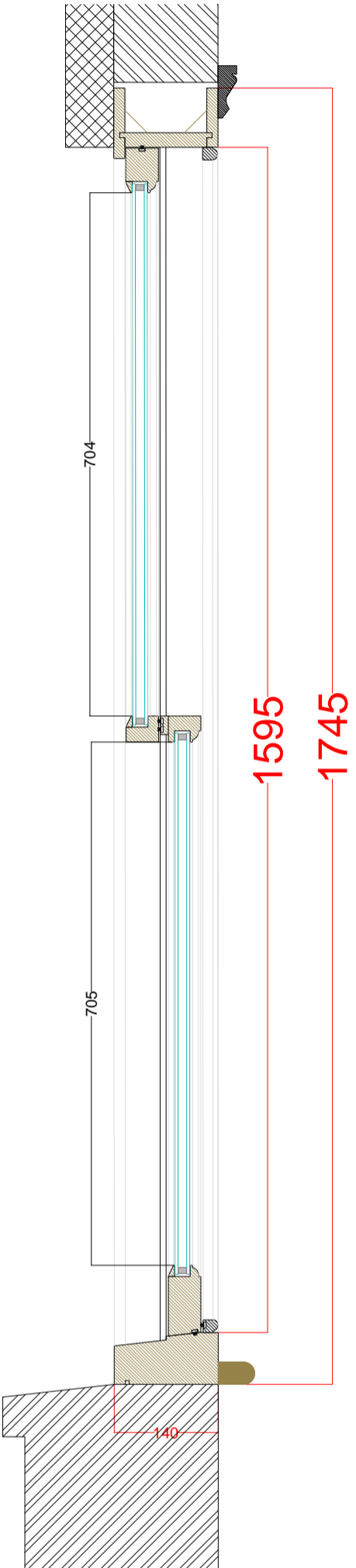
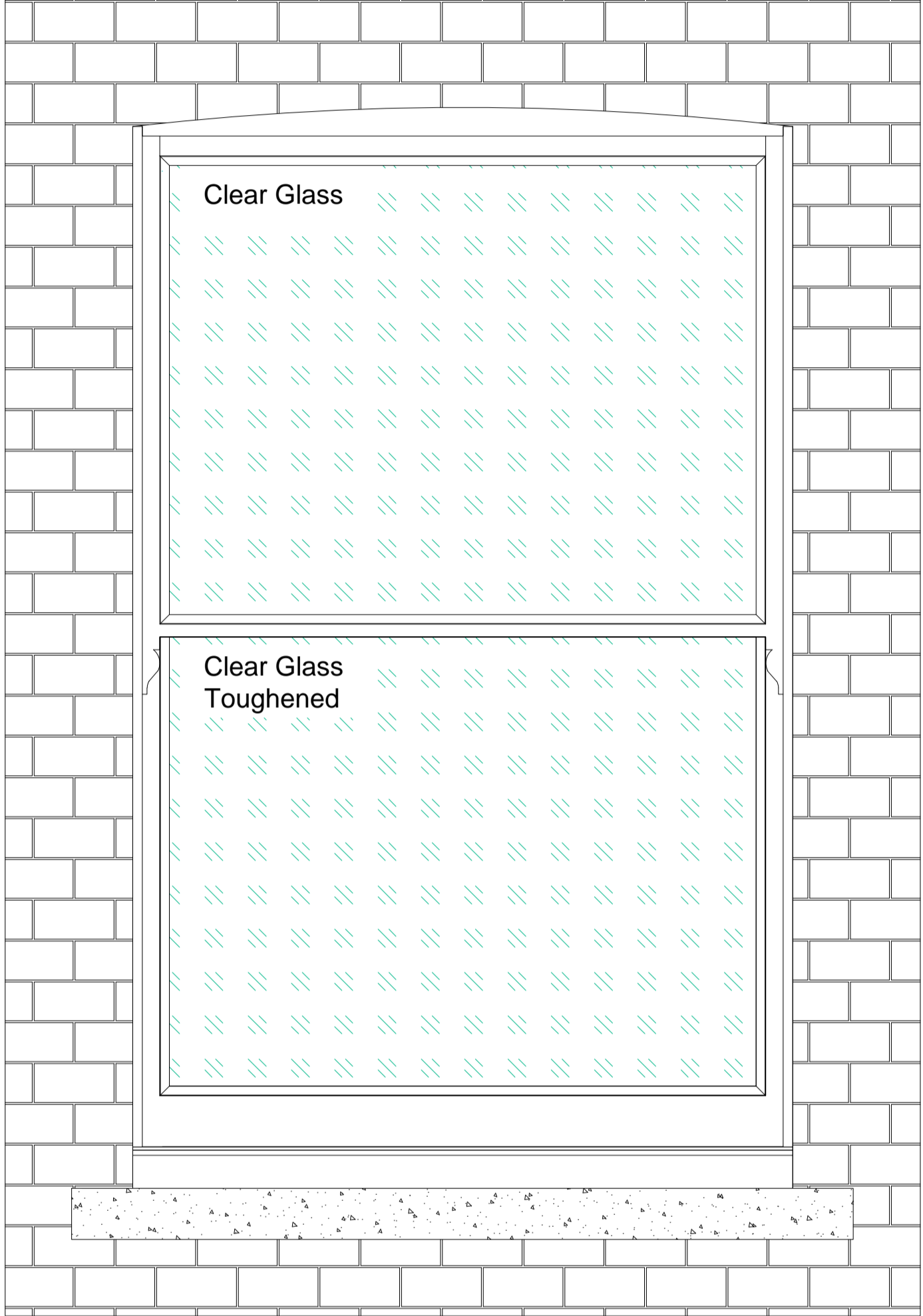


First Floor Bathroom Window 'W-02-01'



Approval Sketches

SPECIFICATION	
No OF WINDOWS	1 No, Full Box
WOOD	SOFTWOOD, HARDWOOD SILL
TYPE	LEAD WEIGHT
HORNS	YES Top Sash, MODEL No 2
DRAFT PROOF	YES
GLASS- TOP SASH	Clear Glass , 4-12-4 mm ARGON FILLED SEALED UNIT, K GLASS
GLASS- BOTTOM SASH	Toughened Glass , 4-12-4 mm ARGON FILLED SEALED UNIT, K GLASS
ARCHITRAVES	YES
WINDOW BOARD	NONE
FINISH/PAINT	Farrow & Ball All White OUTSIDE / Farrow & Ball Wimbourne White Inside
SPACER BAR COLOR	WHITE
IRONMONGERY	Brass
IRONMONGERY QTY.	2 No SASH PULLS+ 2 No SASH LIFTS
ADDITIONAL IRONMONGERY	1 No HOOK LOCKING Security Restrictors
COMMENTS	



Full Box Replacement	First Floor Bathroom Window W-02-01	Date:07.2016	Scale:
Wandsworth Sash Windows	ADDRESS:130 Ardgowan Rd	REVISION 1	Sheet:1-1